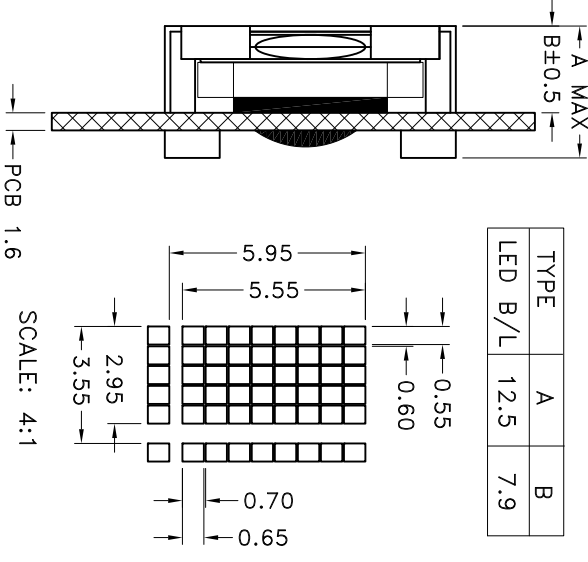
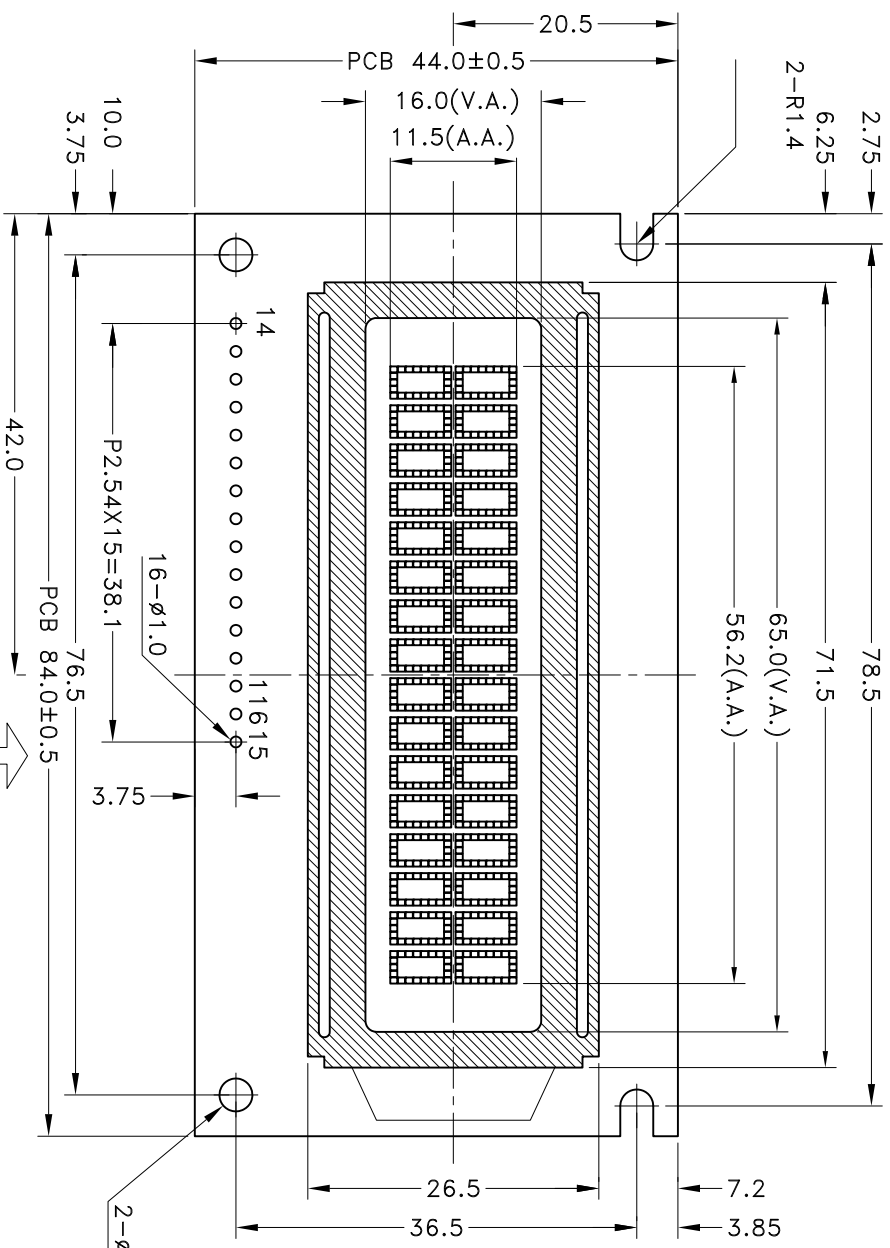


VERSION	CHANGE CONTENT	DATE
V00	FIRST ISSUE	2006-08-25
V01	更改接口顺序	2011-03-16
V02	CHANGE TEMP	2014-09-25
V03	更正接口定义	2015-11-16



TYPE	A	B
LED B/L	12.5	7.9

PIN	1	2	3	4	5	6	7	8	9	10	11	12	13	14	15	16
NAME	VSS	VDD	VO	RS	R/W	E	DB0	DB1	DB2	DB3	DB4	DB5	DB6	DB7	LED-	LED+
	0V	+5.0V													0V	+5.0V

SPECIFICATIONS

1. DISPLAY TYPE: STN/TRANSMISSIVE/NEGATIVE/BLUE
2. LCD DRIVING VOLTAGE: 4.7V
3. LOGIC VOLTAGE: 5.0V
4. VIEWING DIRECTION: 6 O'CLOCK
5. OPERATING TEMP: -20°C-70°C
6. STORAGE TEMP: -30°C-80°C
7. DRIVE MODE: 1/16 DUTY, 1/5 BIAS
8. BACKLIGHT: WHITE/SIDE BACKLIGHT/5.0V
9. OTHER:

NOTE:

MECHANICAL TOL: ±0.2 UNLESS SPECIFIED

DESCRIPTION:

C/D

SCALE: FIT

TINSHARP INDUSTRIAL CO., LTD.

SHEET: 1 OF 1

MODEL SERIAL NUMBER

PROJECTION

TC1602B-08 XWZ0014

UNIT: mm

DATE: DATE: DATE:

APP: APP: APP:

CHK: CHK: CHK:

DATE: DATE: DATE:

DATE: DATE: DATE: